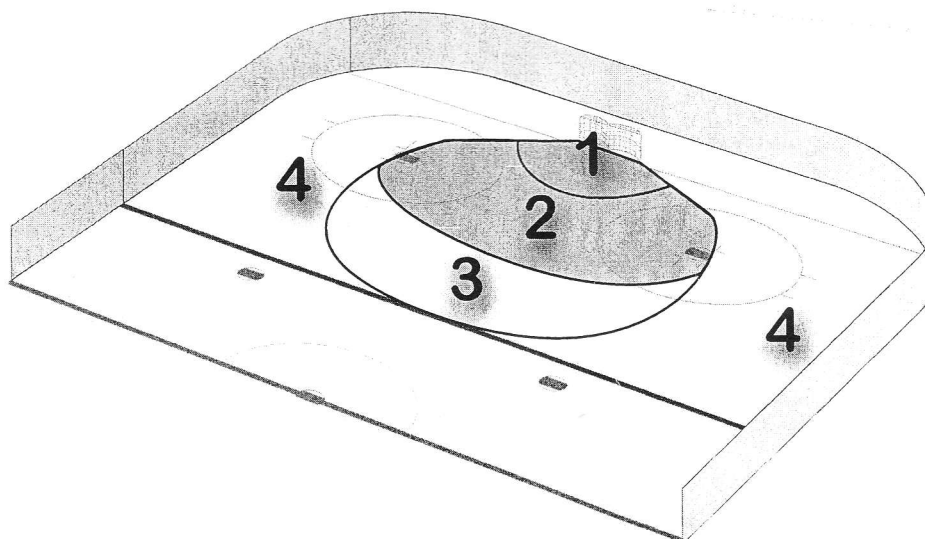


Numbers of Playing Situations in the Hockey Game

Analysis of data collected from Finnish National Team games
2005 - 10.4.2007 (43 games, 184 goals)

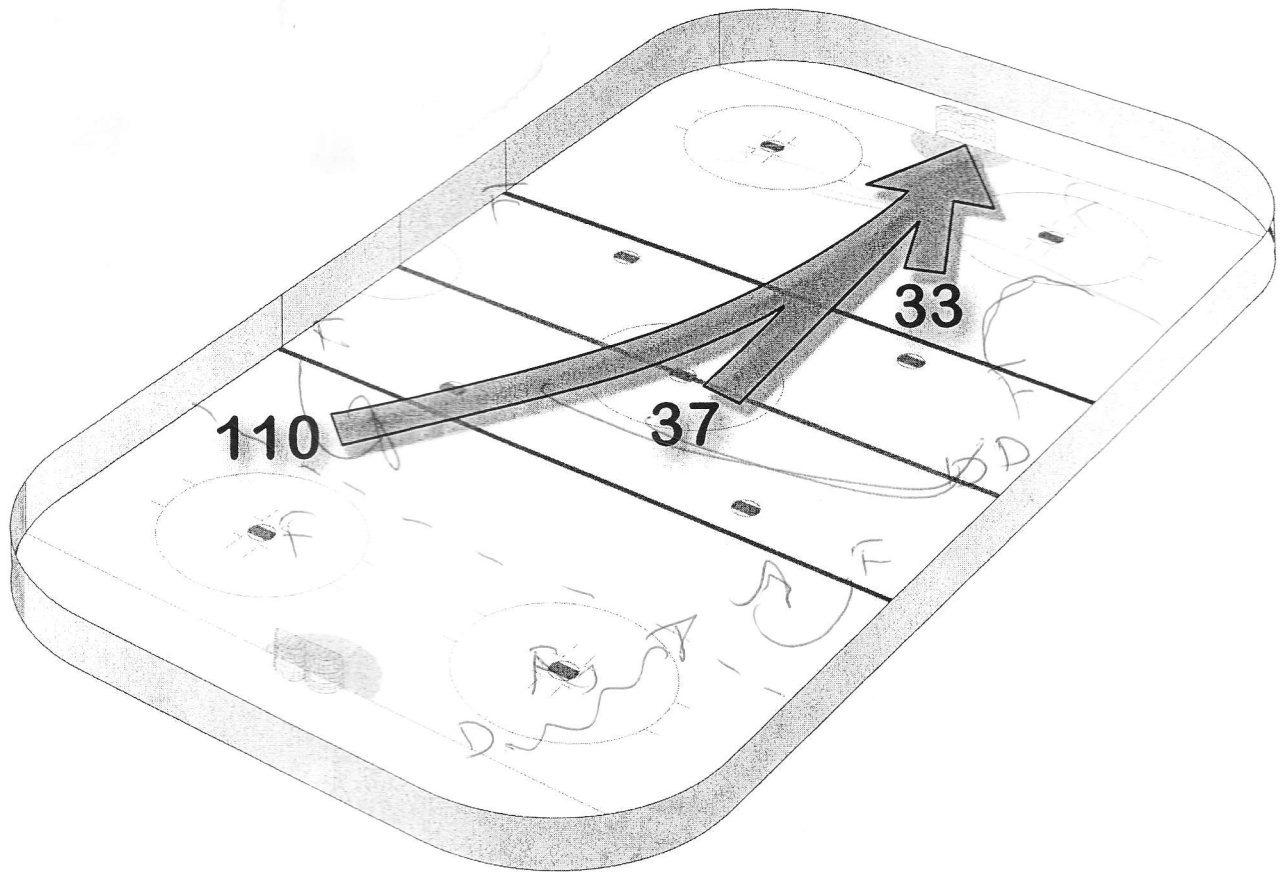
There are per team approximately
180 attacks in a game
2.1 goals
45 shots
28 shots on net

Shooting Areas



Areas 1 and 2 are defined as the SCORING AREA

Starting Zone of the Attack



60% goals from OFFENSIVE ZONE attacks

15% goals from NEUTRAL ZONE attacks

25% goals from DEFENSIVE ZONE attacks

Ways of Gaining Possession

25%

goals from 80 STOLEN PUCKS

20%

goals from 45 OPPONENT'S CLEAR or DUMP

45%

goals AFTER 20 SHOTS

10%

goals off of 35 FACE OFFS

Quality of Attacks

60%

goals from 30 COUNTER ATTACKS

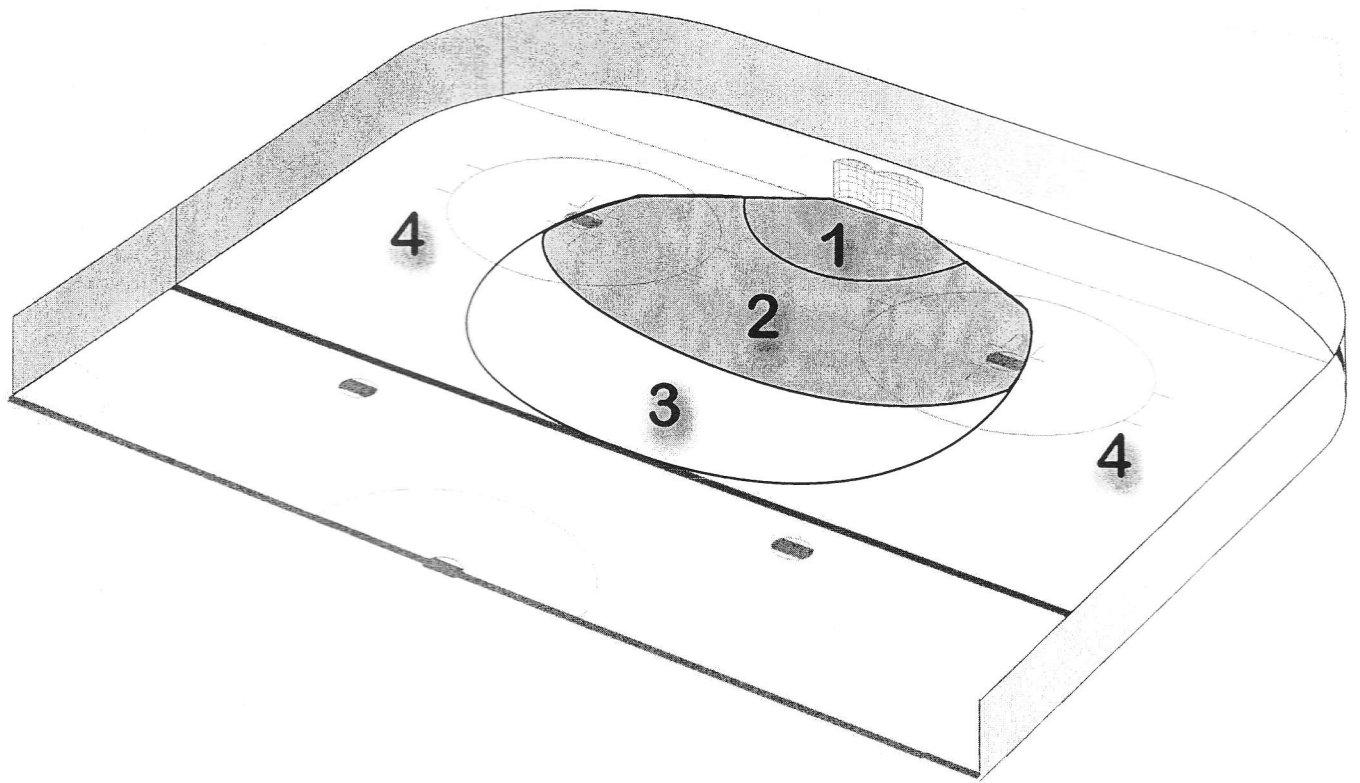
40%

goals from 120 ORGANIZED ATTACKS

0%

goals from 30 PUCK CLEARS

Shots from Different Shooting Areas

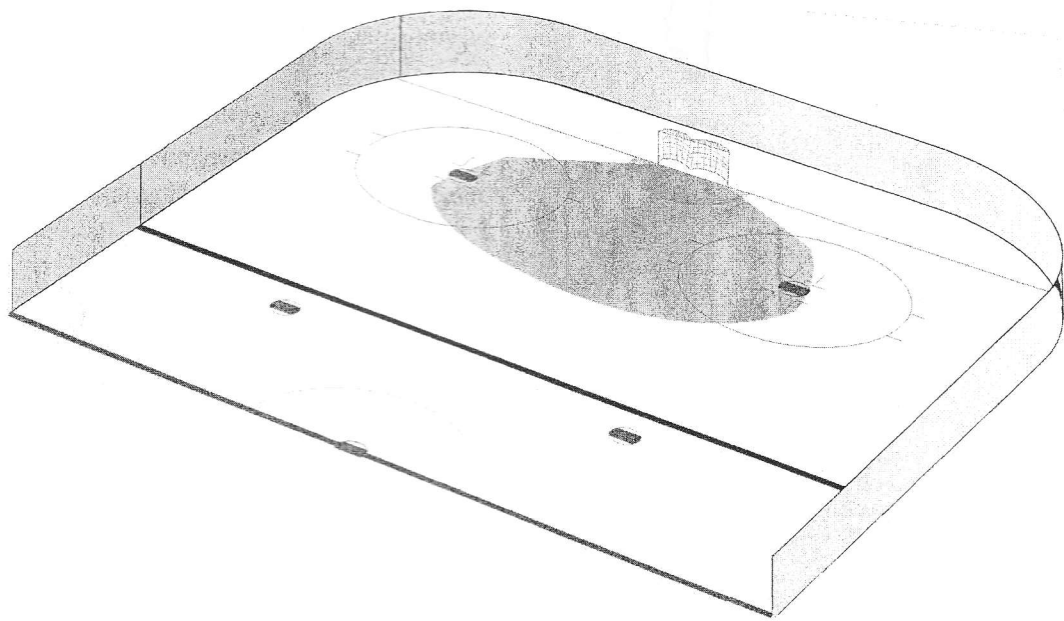


75% goals from **15** shots in ZONE 1-2

20% goals from **20** shots in ZONE 3

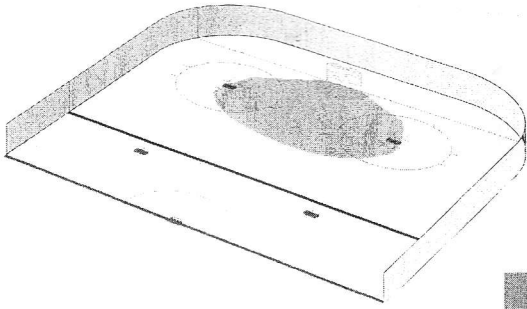
5% goals from **10** shots in ZONE 4

Result of the Shot



	SCORING AREA	OUTSIDE SCORING AREA
GOAL	1.5	0.5
SAVE by GOALIE	9	16.5
BLOCKED SHOT	1	6
WIDE SHOT	3.5	7
Total	15	30

Type of Shot in the Scoring Area



5% goals from **0.5** BREAKAWAYS

35% goals from **4** SHOTS OFF a PASS

30% goals from **7** SHOTS FROM SKATING

30% goals from **3.5** REBOUNDS or DEFLECTIONS

SCORING AREA

OUTSIDE SCORING AREA

BREAKAWAYS

.05

0

SHOTS OFF a PASS

4

5

SHOTS FROM SKATING

7

25

REBOUNDS or DEFLECTIONS

3.5

0

Total

15

30

Variables in a Team's Offensive Efficiency

Scoring Efficiency

The number of goals the team can score
divided by the number of shots from the scoring area

Offensive Efficiency

The number of attacks ending in a shot from the scoring area
divided by the number of attacks from the defensive zone,
neutral zone, or offensive zone

Offensive Risk

The number of attacks that end in losing the puck to the opposing team
divided by the number of attacks from the defensive zone,
neutral zone, or offensive zone

Offensive Readiness

The number of counter-attacks the team is able to make
divided by the number of attacks from the defensive zone,
neutral zone, or offensive zone

Variables in a Team's Defensive Efficiency

Goaltending Efficiency

The number of saves the goalkeeper makes divided by the number of all shots from the scoring area

Defensive Security

The number of attacks the defense is able to prevent the opponent from finishing with a shot from the scoring area divided by the number of attacks from the offensive zone, neutral zone, or defensive zone

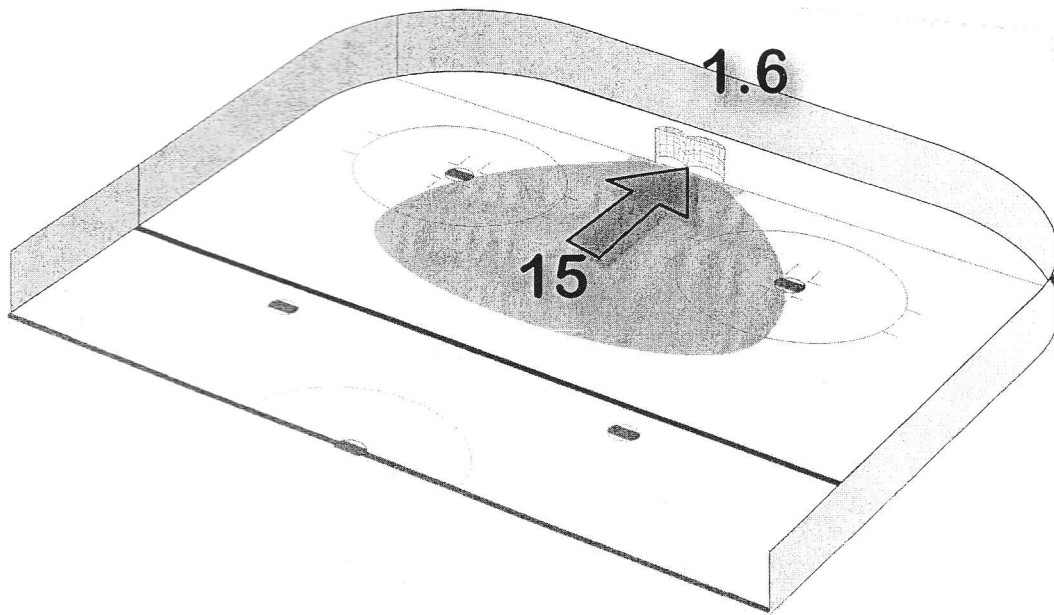
Defensive Efficiency

The number of attacks that the team is able to steal the puck from the opponent divided by the number of attacks from the offensive zone, neutral zone, or defensive zone

Defensive Readiness

The number of counter-attacks the team is able to prevent divided by the total number of counter-attacks from the offensive zone, neutral zone, and defensive zone

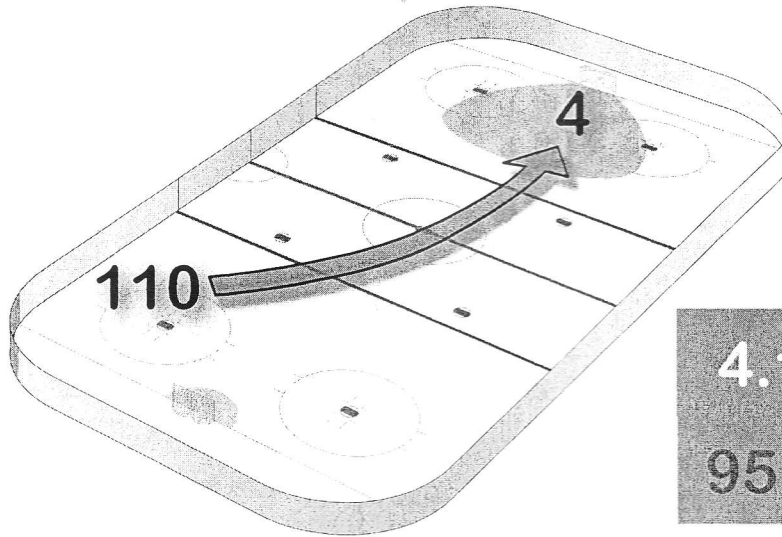
Scoring Efficiency - Goaltending Efficiency



10.8% goals / shots from scoring area

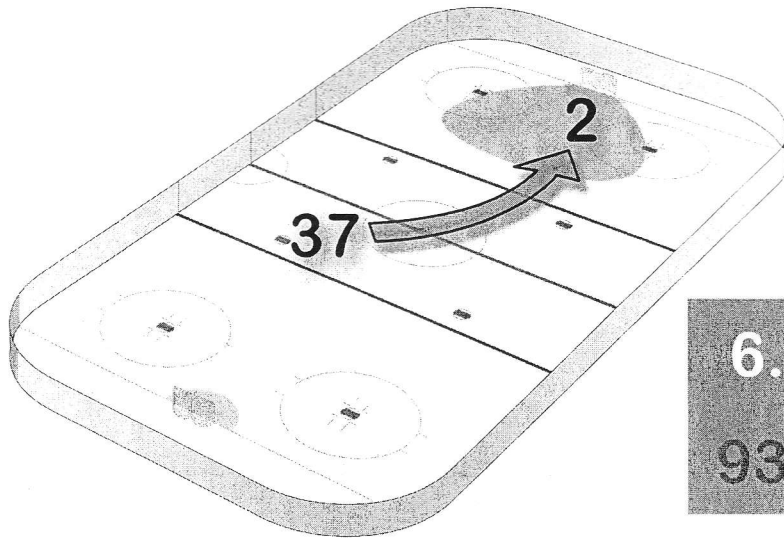
89.2% saves / shots from scoring area

Offensive Efficiency - Defensive Security



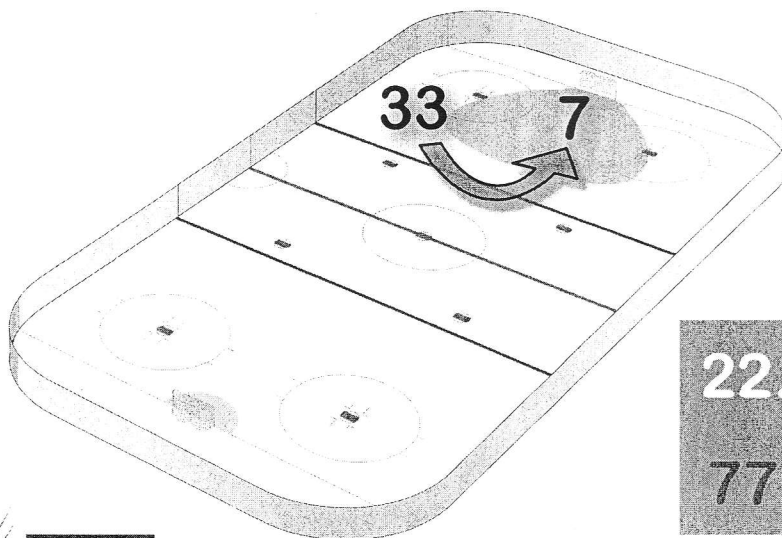
4.1% offense from defensive zone

95.9% defense from offensive zone



6.8% offense from neutral zone

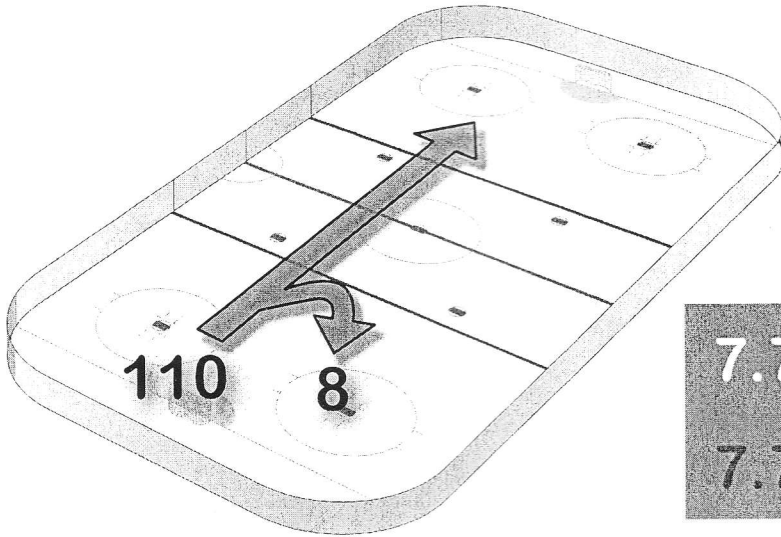
93.2% defense from neutral zone



22.4% offense from offensive zone

77.6% defense from defensive zone

Offensive Risk - Defensive Efficiency

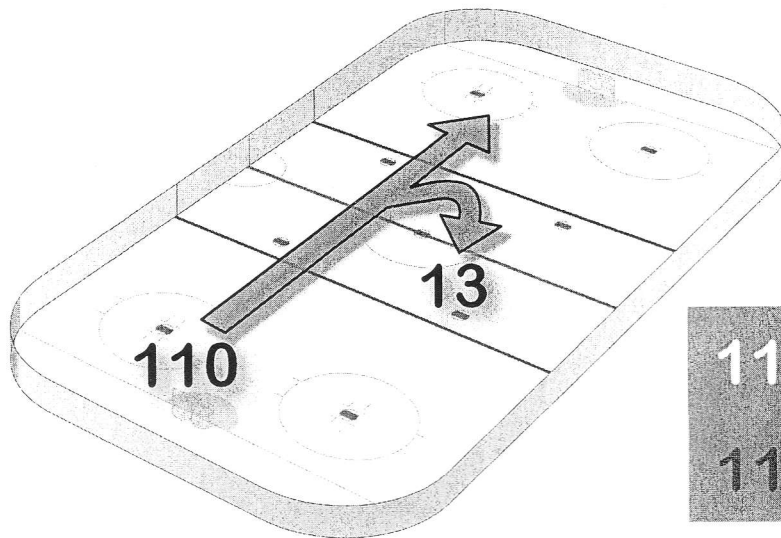


7.7%

offense from defensive zone
- risk in defensive zone

7.7%

defense from offensive zone
- efficiency in offensive zone

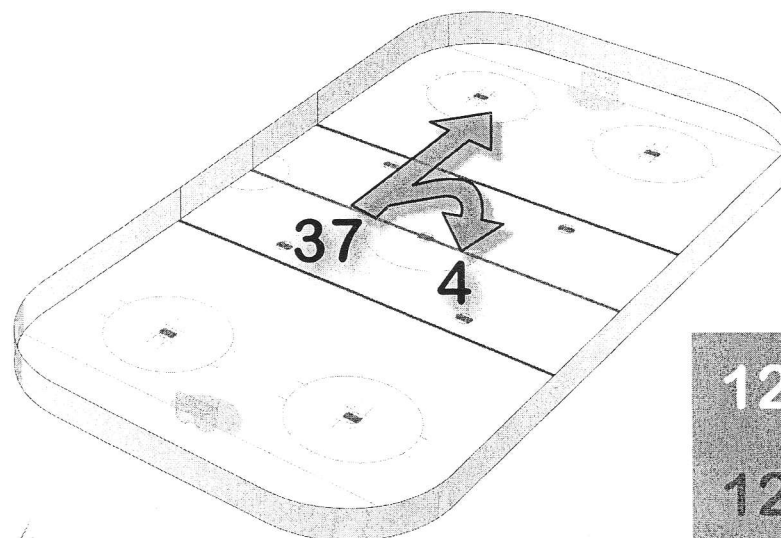


11.8%

offense from defensive zone
- risk in neutral zone

11.8%

defense from offensive zone
- efficiency in neutral zone



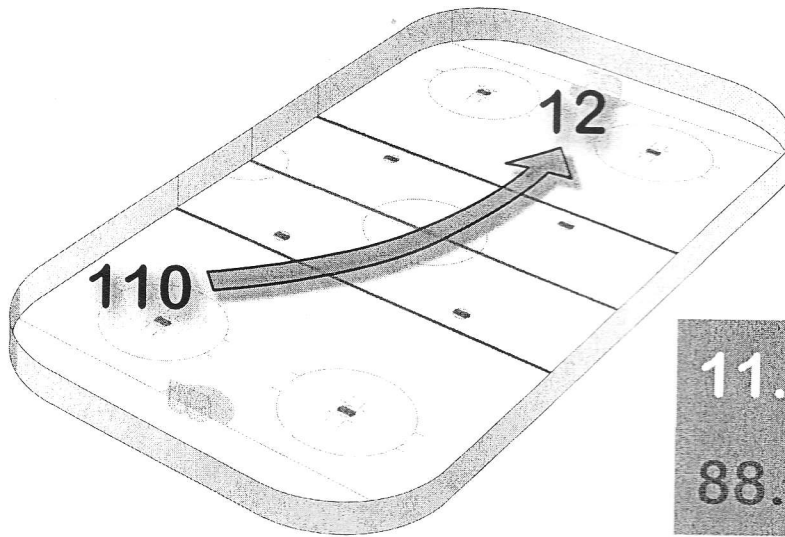
12.2%

offense from neutral zone
- risk in neutral zone

12.2%

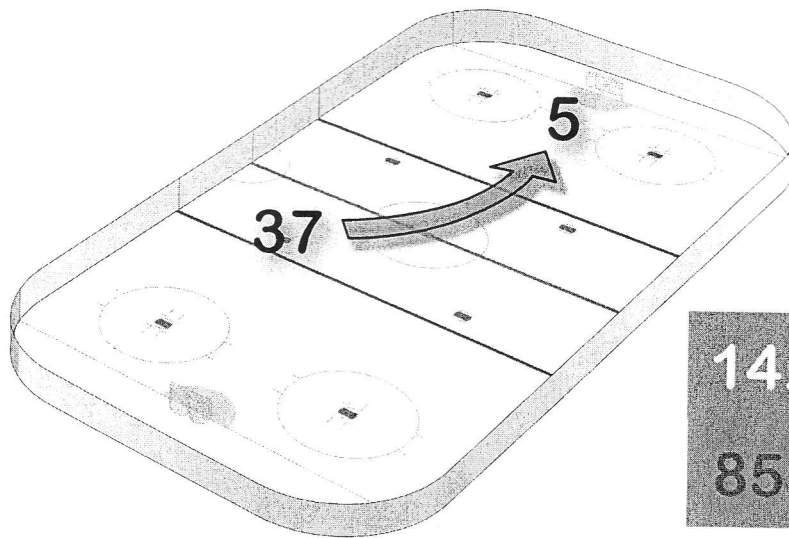
defense from neutral zone
- efficiency in neutral zone

Offensive Readiness - Defensive Readiness



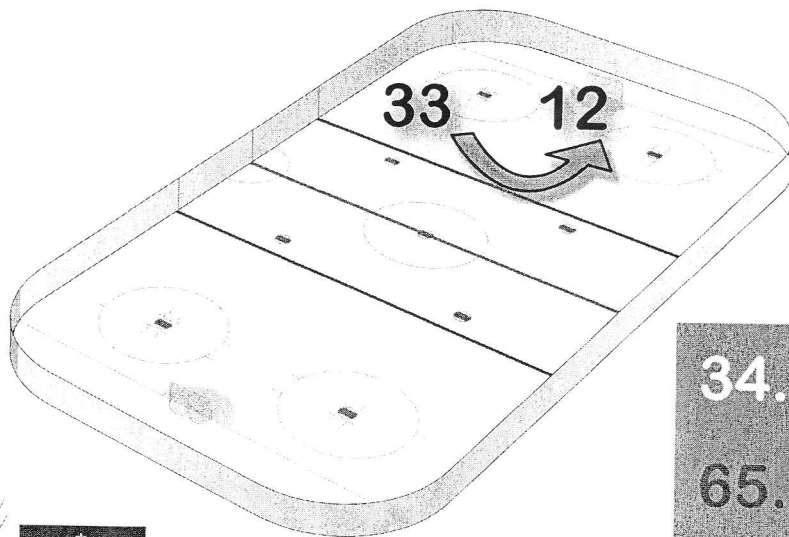
11.3% readiness from defensive zone

88.7% readiness from offensive zone



14.9% readiness from neutral zone

85.1% readiness from neutral zone



34.3% readiness from offensive zone

65.7% readiness from defensive zone